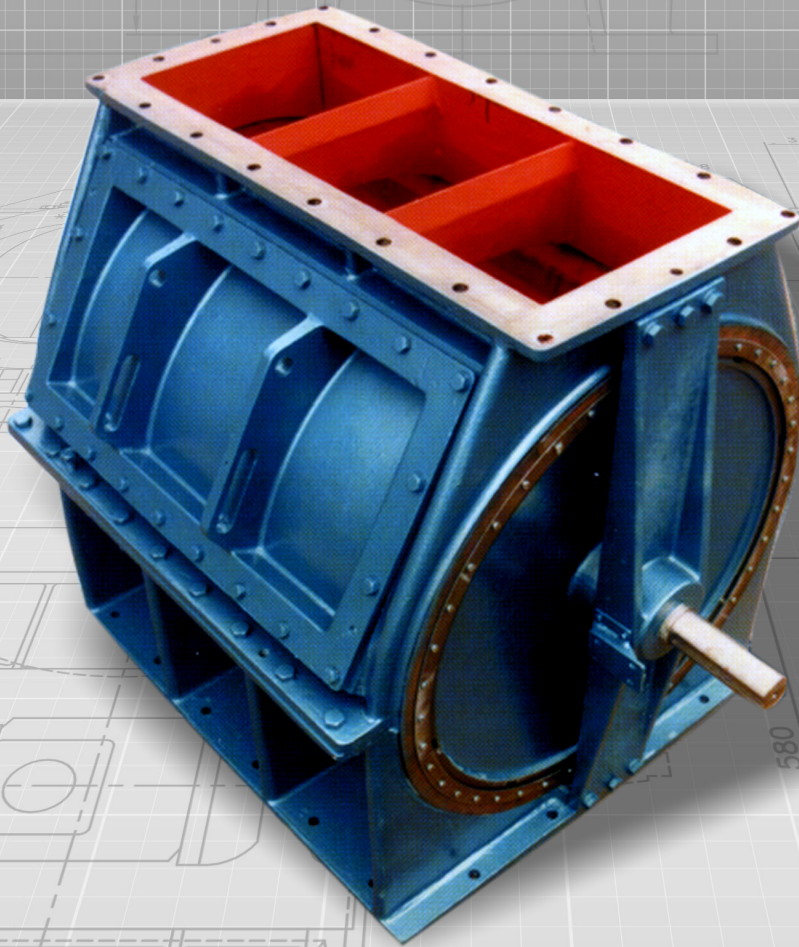


ROLOK

everything under control...



ODDBALL ROTARY VALVES

ROLOK UK

1 Millennium Place
Tiverton Business Park
Tiverton
Devon
EX16 6SB
United Kingdom

Tel: +44 (0) 1884 232232
Fax: +44 (0) 1884 232200

www.rotolok.co.uk
sales@rotolok.co.uk



INTRODUCTION

This brochure simply outlines Rotolok 's range of special sized Rotary Airlocks. However, Rotolok manufactures even more than are listed here, including some round inlets to square outlets and the range is continuously being extended. For full specification, rotor selection and other options please refer to our Rotary Valve & Airlocks brochure. If you require a special valve that does not appear here please contact our sales office as we may design and manufacture to your requirements.

SPECIFICATION

BODIES

Cast Iron, Stainless Steel or Aluminium precision bored

END COVERS

Cast Iron, Stainless Steel or Aluminium spigot located in body for concentricity

BEARINGS

Generally sealed-for-life-ball type rigged outboard or high temperature type above 250°C

ROTOR

Fabricated Mild or Stainless Steel

SHAFT SEAL

Gland type with PTFE packing

DRIVE

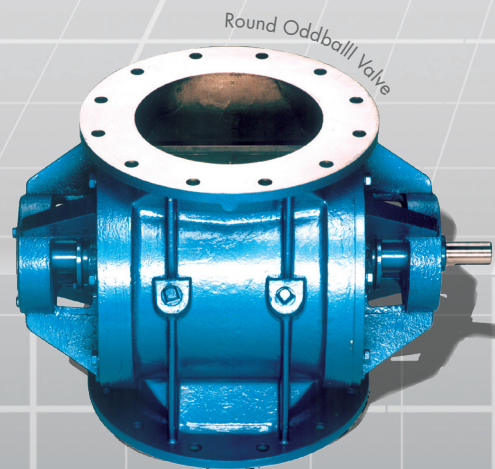
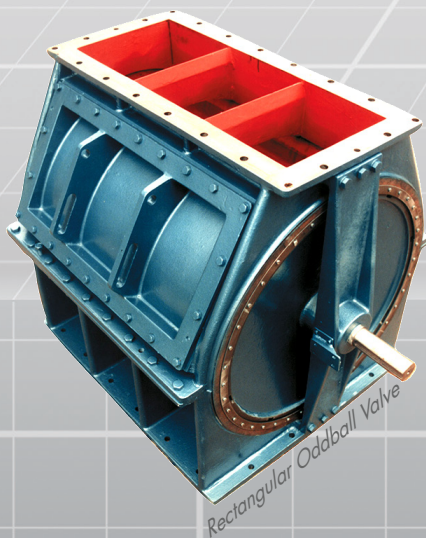
TEFC geared motor unit side wall mounted to valve body and complete with taper lock sprockets chain drive all in an enclosed guard.

STANDARD FEATURES

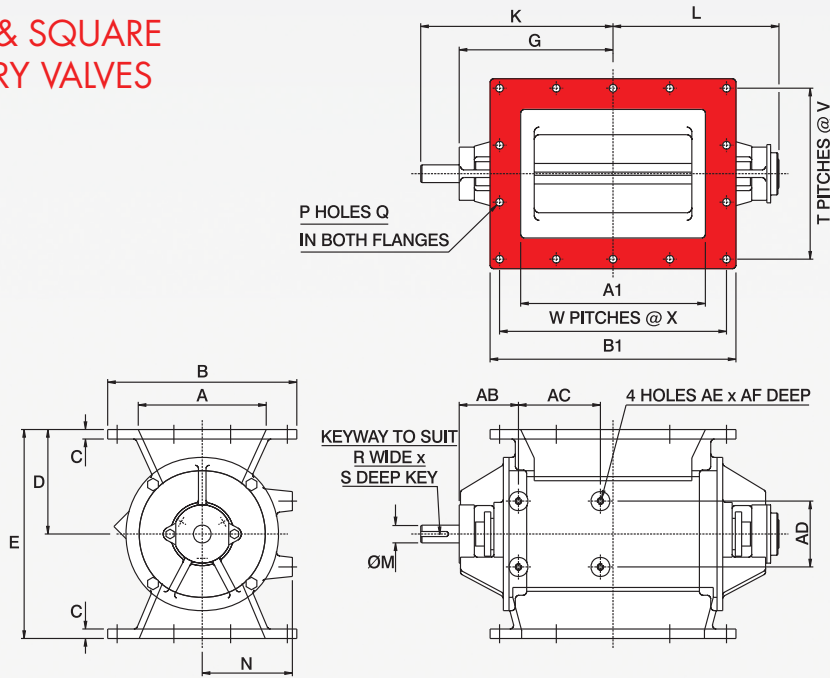
- Maximum number of blades in contact with body at one time without affecting throughput.
- Good throat opening at valve entry allowing for high pocket filling efficiency.
- Minimum clearance at rotor tips and sides with body.
- Robust body adequately stiffened to prevent distortion.
- Heavy shaft diameters minimising deflection.
- Outboard bearings for on-contamination.
- Packing gland type seals.
- Maximising valve speed to 25 RPM prolonging life, ensuring good throughput.
- Precision machining of components.

OPTIONS

- Quick Release Rotors
- Direct Coupled Drives
- Air Purge Glands
- Body Vents
- Dropout Boxes
- V.S. Drives
- Speed Switches
- Flame-proof Motors
- Shear plate Deflectors
- Electroless Nickel Plating
- Hard Chrome Internals etc.



RECTANGULAR & SQUARE ODDBALL ROTARY VALVES



All dimensions are in millimetres

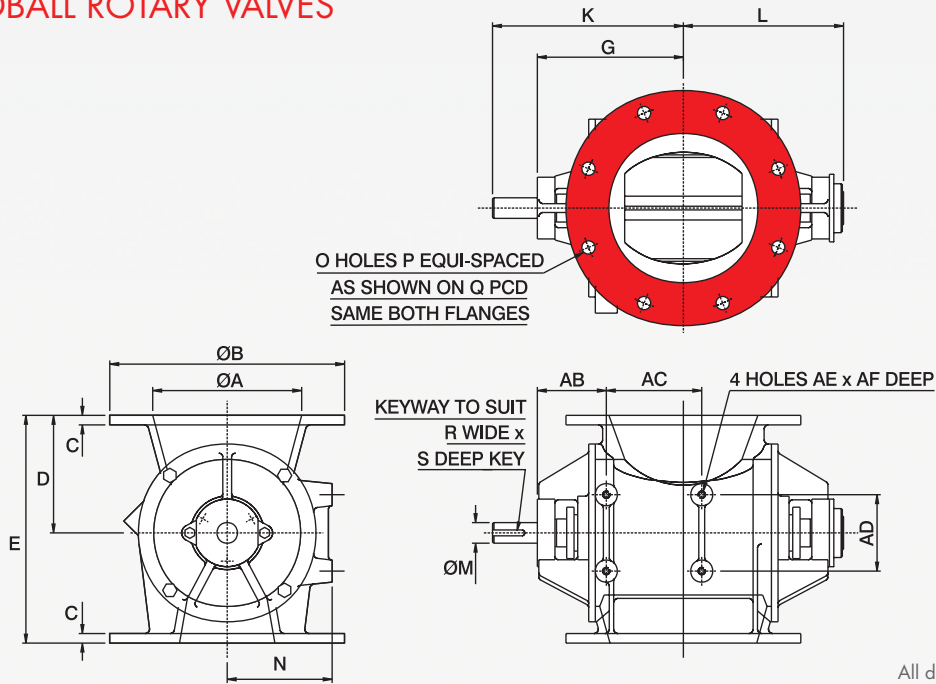
NOMINAL INLET SIZE	A	A1	B	B1	C	D	E	G	K	L	M	N	P
80 x 300	80	300	150	330	10	85	170	249	310	268	28	-	6
100 x 100	102	102	171	171	10	95	190.5	146	196	165	25	87	4
100 x 150	102	152	164	212	10	121	241	185	246	204	28	126	8
230 x 230	229	229	305	305	10	132	264	219	280	238	28	133	12
125 x 250	127	254	203	312	12	134	267	227	288	246	28	126	12
125 x 300	127	305	203	363	12	134	267	253	314	272	28	126	12
200 x 460	200	460	300	560	15	165	330	329	427	348	35	133	16
200 x 600	200	600	300	700	15	165	330	399	460	418	28	150	16
230 x 270	233	270	330	370	16	205	410	247	321	266	40	185	12
350 x 390	356	387	470	502	16	225.5	451	305	365	323	35	194	12
300 x 1220	305	1219	419	1372	15	229	457	719	780	738	35	185	28
250 x 250	250	250	365	365	14	250	500	263	326	282	40	207	12
250 x 250	254	254	330	330	13	203	406	267	338	287	50	206	8
250 x 350	250	350	350	450	12	240	480	270	329	289	35	220	12
300 x 580	305	578	464	778	25	305	610	429	533	449	50	286	18
460 x 815	460	815	610	965	18	305	610	526	607	545	50	290	18
NOMINAL INLET SIZE	Q	R	S	T	V	W	X	AB	AC	AD	AE	AF	m ³ /rev
80 x 300	11	8	7	1	114	2	127	-	-	-	-	-	0.0035
100 x 100	12	8	7	1	146	1	146	101	90	152	M10	20	0.0016
100 x 150	10	8	7	O/A	O/A	O/A	O/A	103	127	102	M10	20	0.0054
230 x 230	12	8	7	O/A	O/A	O/A	O/A	98	127	102	M10	20	0.0063
125 x 250	M8	8	7	O/A	O/A	O/A	O/A	94	110	104	M10	20	0.0075
125 x 300	M8	8	7	O/A	O/A	O/A	O/A	94	110	104	M10	20	0.0089
200 x 460	14	10	8	O/A	O/A	4	130	124	152	178	M10	20	0.016
200 x 600	14	8	7	O/A	O/A	4	165	94	130	104	M10	20	0.0157
230 x 270	12	12	8	3	93	3	107	122	250	300	M12	20	0.0151
350 x 390	14	10	8	O/A	O/A	O/A	O/A	110	152	178	M10	20	0.0271
300 x 1220	11	10	8	3	127	O/A	O/A	100	152	178	M10	20	0.062
250 x 250	14	12	8	3	110	3	110	143	240	290	M16	30	0.0207
250 x 250	11	14	9	2	152	2	152	143	248	203	M10	25	0.0272
250 x 350	13	10	8	3	104	3	140	97	345	145	M12	20	0.0308
300 x 580	18	14	9	3	133	5	143	156	546	330	M16	40	0.0903
460 x 815	18	14	9	3	178	6	152	125	415	140	M16	30	0.155

*O/A = On application

Dimensions are approximate and subject to change without notice
Planning-in detail for general guidance only
(To cover safety aspects ask for our safety leaflets)
Drillings are Rotolok standards. Variations can be made.



ROUND ODDBALL ROTARY VALVES

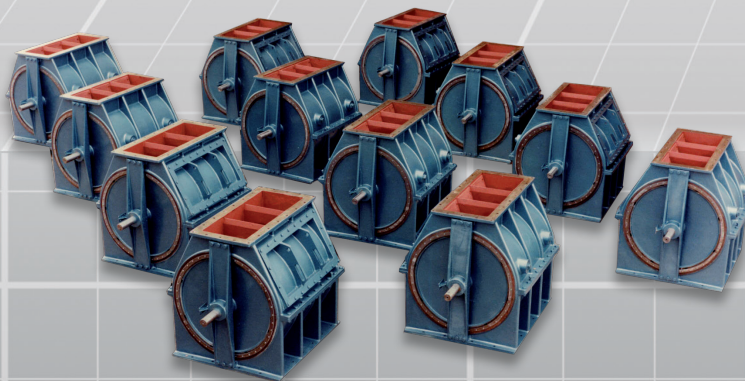


All dimensions are in millimetres

NOMINAL INLET Ø x BORE	øA	øB	C	D	E	G	K	L	øM	N	O	P	Q	R	S	AB	AC	AD	AE	AF	ft ³ /rev
12.5 x 19	12.7	89	7	53	106	44	74	55	9.5	-	4	16	60.5	3	3	-	-	-	-	-	87 x 10
150 x 170	150	285	12	130	260	198	250	217	28	110	8	22	240	8	7	125	146	100	M10	18	0.11
150 x 200	152	254	8	124	248	174	235	193	28	127	6	11	222	8	7	94	130	104	M10	20	0.167
175 x 210	175	315	12	160	320	220	270	239	28	130	8	22	270	8	7	125	190	100	M10	18	0.218
200 x 260	200	340	12	185	370	255	315	274	28	160	8	22	295	8	7	138	234	125	M12	18	0.423
200 x 250	203	320	12	156	311	219	280	238	28	175	8	10	280	8	7	94	250	104	M10	20	0.394
200 x 300	205	343	19	220	465	260	320	279	35	185	8	22	298	10	8	100	320	140	M16	30	0.75
250 x 310	250	395	15	215	430	280	335	294	32	190	12	18	335	10	8	138	284	125	M10	22	0.705
250 x 310	250	406	15	215	430	280	335	294	32	190	12	25	362	10	8	138	284	125	M10	22	0.705
300 x 380	300	445	16	260	520	330	430	354	50	225	12	22	400	14	9	150	180	125	M12	22	1.33
350 x 450	350	505	21	305	610	365	425	384	50	270	16	22	460	14	9	155	420	125	M12	22	2.216

CAPACITIES

The capacities of the Oddball valves are in the last column of the valve size charts, in ft³ per rotor revolution. See standard Rotary Valve capacity chart for comparisons at various valve speeds.



Dimensions are approximate and subject to change without notice
Planning-in detail for general guidance only
(To cover safety aspects ask for our safety leaflets)
Drillings are Rotolok standards. Variations can be made.

