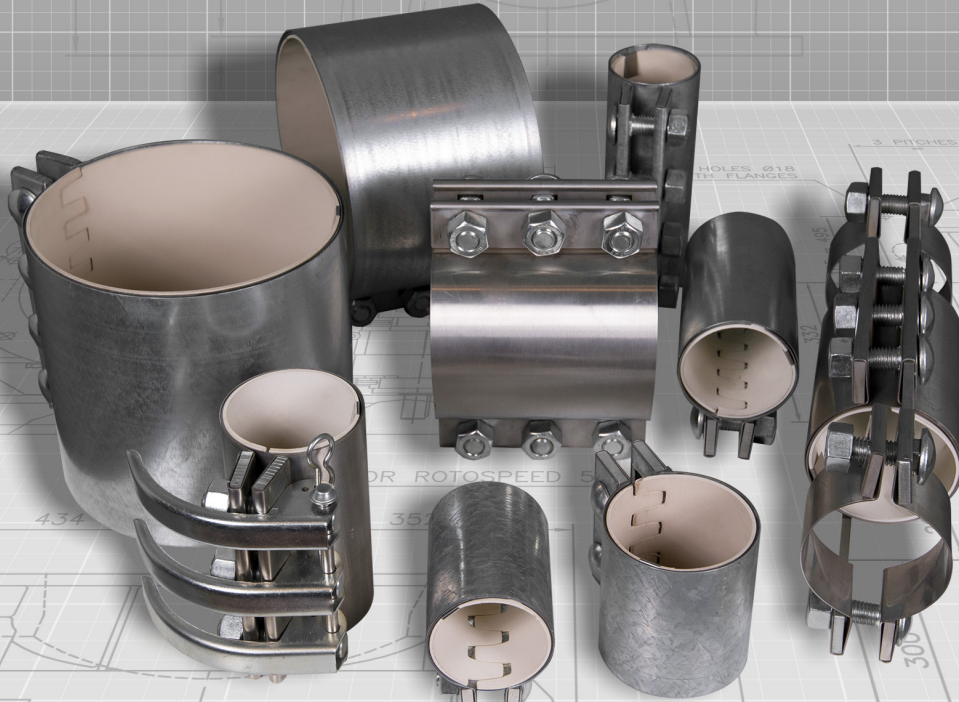


ROTOLOK

everything under control...



BLO-LINE COUPLINGS

ROTOLOK ASIA PACIFIC PTE LTD

7 Mandai Link #07-31

Mandai Connection

Singapore

728653

Tel: +65 6744 6415

Fax: +65 6744 6425

www.rotolok.sg

sales@rotolok.sg



INTRODUCTION

Compression Couplings provide an economical method of connecting piping and tubing and ensure fast positive sealing in pressure and vacuum systems.

The couplings not only offer an initial low cost, but also minimise installation time and expense. They are light yet strong and provide a leak proof seal, meaning that they may be used with a variety of products. They are easily connected and dismantled and are re-useable if they need to be relocated within the system.

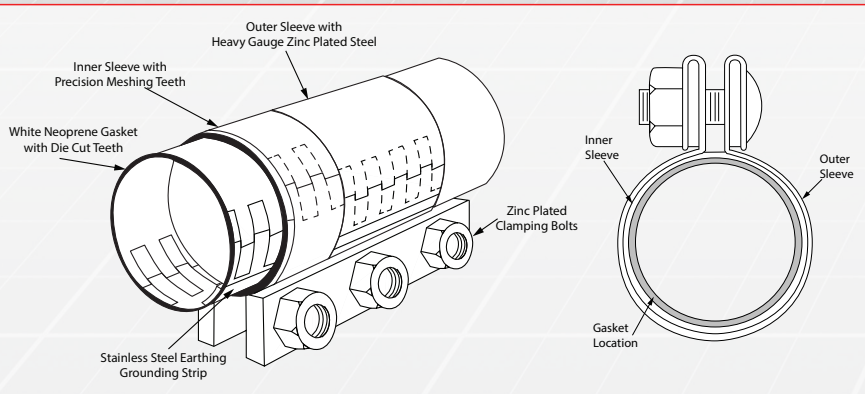
In applications where static electricity build-up presents a problem, such as bulk material, or pneumatic conveying systems, earthing strips assure conduction of static across the ends of the piping being joined. These earth strips are supplied as standard.

CONSTRUCTION

Blo-Line Compression Couplings consist of an outer shell with lips flanges enveloping stiffener bars, an inner sleeve with precision meshing teeth and a gasket with a die cut tooth design to ensure a positive seal. When bolts are tightened, the heavy flanges draw in the outer shell which, in turn, applies uniform pressure on the inner sleeve and gasket to ensure sealing of the line being coupled.

Couplings are also available with lever operation for quicker access to the connected pipes.

For use more hygienic industries such as Food, Chemical or Pharmaceutical applications, Rotolok offer Blo-Line Couplings in Stainless Steel. This allows for a cleaner, more hygienic conveying system and when coupled with the lever operation allows the coupling to be quickly removed and cleaned.



INSTALLATION STEPS

- Ensure ends of matching pipes are square, clean and tightly butted.
- Remove burrs, scale, grease, etc. from the pipe areas covered by the coupling.
- Slide the coupling over the end of one pipe and bring the end of the adjoining pipe to firmly butt against the end of the first pipe then slide the coupling so it is central over the joint.
- Tighten the bolts evenly until the desired compression is obtained. When properly tightened, the flanges will touch and appear to 'Vee' when viewed from the end.

2 BOLT TYPE		
PIPE O.D	LENGTH	PART NO.
38.1 (1½")	102 (4")	2B150
50.8 (2")	102 (4")	2B200

3 BOLT TYPE		
PIPE O.D	LENGTH	PART NO.
48.3 (1 ²⁹ / ₃₂ "	152 (6")	3B190
50.8 (2")	152 (6")	3B200
60.3 (2 ³ / ₈ "	152 (6")	3B237
63.5 (2½")	152 (6")	3B250
76.1 (3")	152 (6")	3B300
88.9 (3½")	152 (6")	3B350
101.6 (4")	152 (6")	3B400
114.3 (4½")	152 (6")	3B450
120.0 (4 ²³ / ₃₂ "	152 (6")	3B472
127 (5")	152 (6")	3B500
139.7 (5½")	152 (6")	3B550
152.4 (6")	152 (6")	3B600
165.1 (6½")	152 (6")	3B650
168.3 (6 ⁵ / ₈ "	152 (6")	3B662

4 BOLT TYPE		
PIPE O.D	LENGTH	PART NO.
76.1 (3")	203 (8")	4B300
88.9 (3½")	203 (8")	4B350
101.6 (4")	203 (8")	4B400
114.3 (4½")	203 (8")	4B450
120.0 (4 ²³ / ₃₂ "	203 (8")	4B472
127.0 (5")	203 (8")	4B500
139.7 (5½")	203 (8")	4B550
152.4 (6")	203 (8")	4B600
165.1 (6½")	203 (8")	4B650
168.3 (6 ⁵ / ₈ "	203 (8")	4B662
203.2 (8")	203 (8")	4B800
219.1 (8 ⁵ / ₈ "	203 (8")	4B862
254.0 (10")	203 (8")	4B1000
273.0 (10 ³ / ₄ "	203 (8")	4B1075

