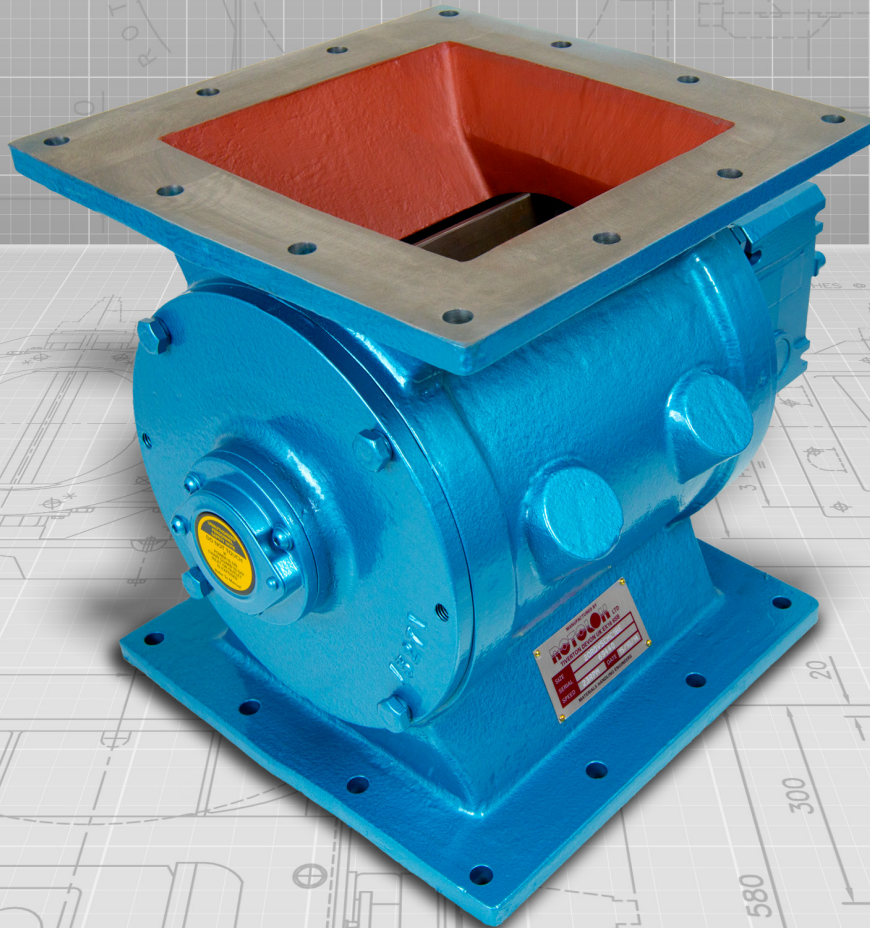


ROTOLOK

everything under control...



DUST COLLECTOR VALVE

ROTOLOK ASIA PACIFIC PTE LTD

7 Mandai Link #07-31
Mandai Connection
Singapore
728653

Tel: +65 6744 6415
Fax: +65 6744 6425

www.rotolok.sg
sales@rotolok.sg



INTRODUCTION

The Dust Collector Valve is designed specifically for lighter duty applications, such as gravity flow or bottom of dust collectors handling light loads and non-abrasive products. These units have direct drive right angle gearboxes, inboard bearings and lip seals; making them very cost competitive.

These dust collector valves have been engineered and designed solely as a low cost solution for applications with pressure differentials of 3 psi or less.

SPECIFICATION

BODIES

Cast Iron Precision Bored

END COVERS

Cast Iron Precision Machined and Spigot Located into Valve Body

ROTOR

Fabricated Mild Steel Closed Tip (Shrouded) Type Fully Machined

BEARINGS

Ball Type Rugged Inboard Sealed for Life

SHAFT SEAL

Nitrile Lip Seal

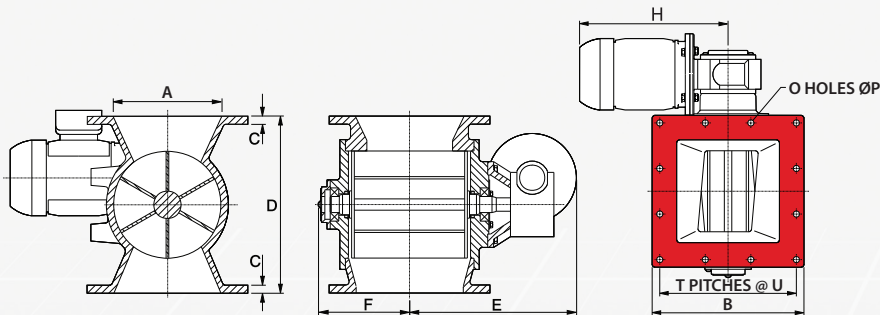
DRIVE

Motorised Worm Box Shaft Mounted on Rotor and Fitted with Standard IEC Motor TEFC 3PH/50Hz Flange Mounted to Worm Box

VALVE SPEED

28 RPM with 50Hz supply

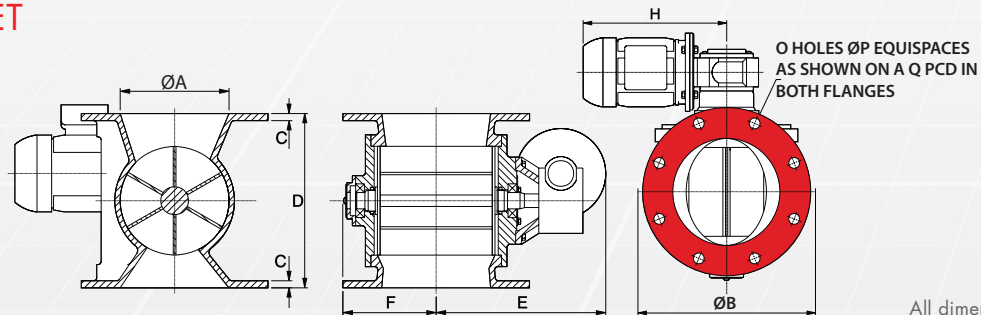
SQUARE INLET



All dimensions are in mm

SIZE	A	B	C	D	E	F	H	O	P	T	U	kW	WEIGHT (KG)	ltr/rev
150	152	250	12	280	296	146	356	12	12	3	70	0.31	69	2.36
200	203	300	12	330	320	172	356	12	12	3	90	0.31	83	5.99
250	254	370	18	390	350	204	382	12	18	3	108	0.55	116	12.07
300	305	440	18	465	388	235	382	12	18	3	128	0.55	175	21.41

CIRCULAR INLET



All dimensions are in mm

SIZE	A	B	C	D	E	F	H	O	P	Q	kW	WEIGHT (KG)	ltr/rev
150	154	285	12	270	296	146	356	8	22	241	0.31	69	2.36
200	203	320	12	310	320	172	356	8	18	280	0.31	83	5.99
250	254	368	15	380	350	204	382	8	18	320	0.55	116	12.07
300	305	440	19	465	388	235	382	12	22	395	0.55	175	21.41

Dimensions are approximate and subject to change without notice
 Planning-in detail for general guidance only
 (To cover safety aspects ask for our safety leaflets)
 Drillings are Rotolok standards. Variations can be made.

