

ROTOLOK

everything under control...



PLUG DIVERTERS

ROTOLOK ASIA PACIFIC PTE LTD

7 Mandai Link #07-31
Mandai Connection
Singapore
728653

Tel: +65 6744 6415
Fax: +65 6744 6425

www.rotolok.sg
sales@rotolok.sg



INTRODUCTION

Plug type diverter valves are used in the pneumatic conveying industry to re-route powder, pellets and granules from one discharge point to another. The Rotolok Plug Diverter can be used where Flap Valves are unsuitable due to high pressures or abrasive duties. Plug Valves are ideal for use in high vacuum conveying systems or where severe leakage or cross contamination cannot be tolerated.

The Valve consists of a rugged cast body which houses a cast plug between a pair of end covers. The material handled passes from one port through the parallel machined bore within the plug to either of the two outlet ports. The outlet port is selected by rotating the plug through 150°. Rotation is alternately clockwise and counter-clockwise and is achieved by means of a double acting torque actuator.

To prevent cross contamination, each leg has an individual PTFE seal to the plug which is pressurised by a gland follower arrangement and is accessible, adjustable and replaceable externally.

The plug and body are precision machined using the latest CNC technology to ensure reliability and sealing efficiency. The valve has no dead-leg, smooth internals ensure no lodgement points to minimise turbulence and therefore ensuring line efficiency is kept to a maximum.

Pipe connections can be supplied as either plain pipe ends or flanged as required.

STANDARD FEATURES

- Suitable for all types of conveying systems and most materials.
- Compact design
- Small divert angle - 30°
- Smooth internals - no lodgement points
- Minimal air leakage and cross contamination
- Pneumatic and/or manual versions
- Rugged design for up to 4 bar (60 psi) conveying and 10 Bar (145 psi) upset pressure
- Simple access and maintenance.
- Aluminium, Cast Iron or Stainless Steel construction

RANGE

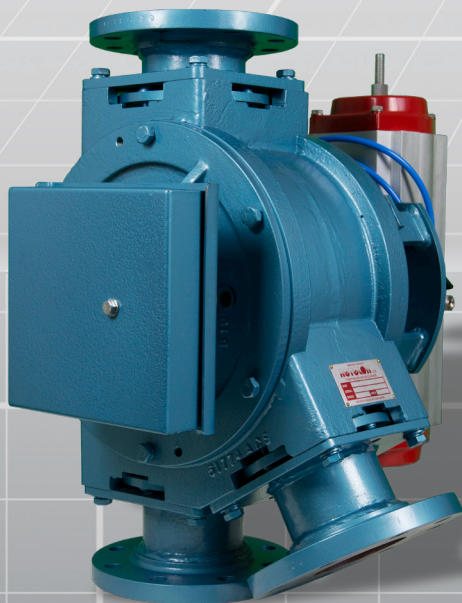
Standard range size 50mm to 250mm diameter but we will extend this range should the need arise. A choice of construction materials include Aluminium, Cast Iron and Stainless Steel in a choice of combinations, allowing the majority of applications to be catered for.

SPIGOTTED CONNECTIONS

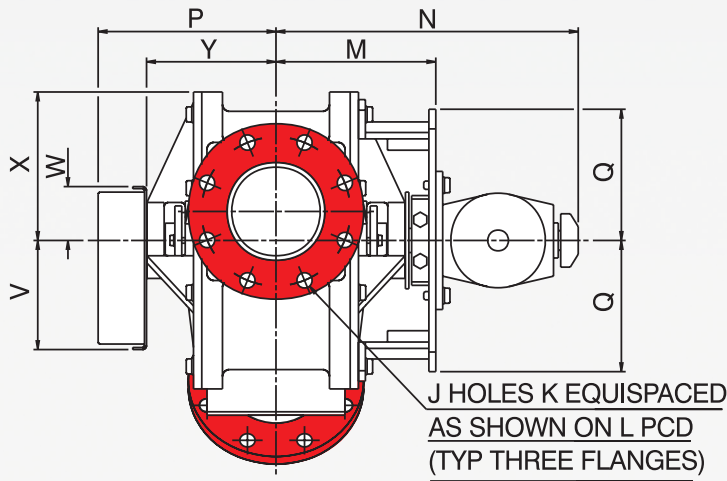
The spigotted ends are connected to pipework with 'Blo-line' type couplings, facilitating quick access in case of blockages. It also gives flexibility in pipe length accuracies and misalignment variation. Furthermore, the Rotolok spigotted ends are not of cast fixed length, but bolted on and of variable length. This enables the ends to be supplied to fit exactly to existing pipework.

FLANGED CONNECTIONS

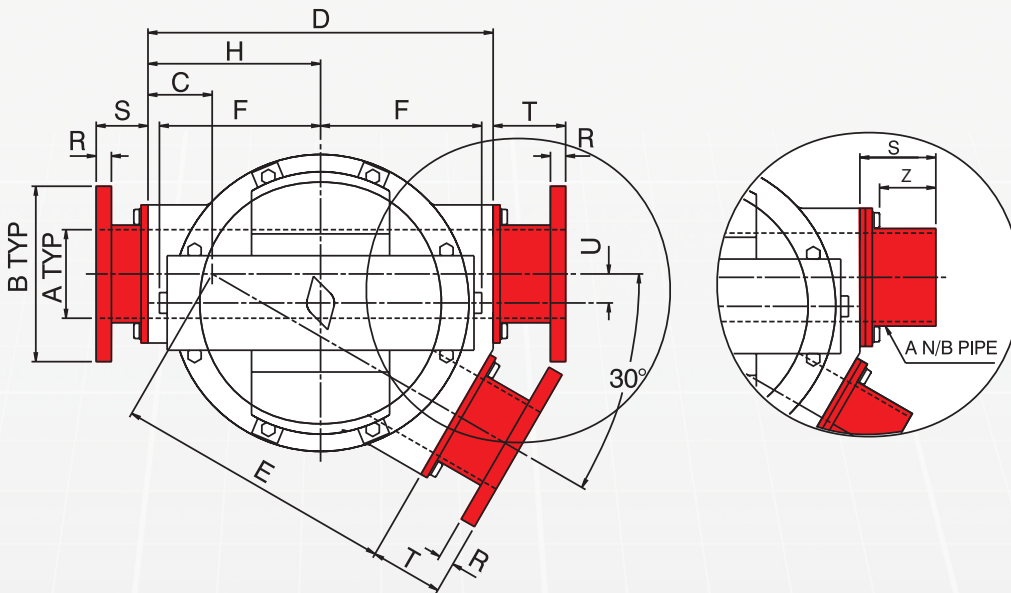
Simple and robust, bolt on flanged ends drilled to match various international standards as requested.



PLUG DIVERTERS



NOTE:
250 size has two actuators,
one either side.



All dimensions are in millimetres

SIZE	C	D	E	F	H	M	N	P	Q	U	V	W	X	Y	FLANGED ASA						SPIGOTTED				
															ØA	ØB	J	ØK	L	R	S	T	A Pipe	Z	S
50	74	332	258	235	166	192	406	217	113	24.5	158	78	121	147	52	152	4	18	114	10	64	64	2"	85	110
75	82	390	308	235	195	210	417	236	130	30.5	158	78	150	165	78	184	4	18	146	10	80	80	3"	85	110
100	85	440	355	235	220	219	426	246	158	36	158	78	180	175	102	216	4	18	178	10	70	105	4"	81	110
125	93	500	407	235	250	232	438	258	190	42	158	78	215	188	128	254	8	18	210	13	75	105	5"	81	110
150	94	542	448	235	271	262	470	288	203	47.5	158	78	230	218	154	279	8	18	235	13	76	97	6"	81	110
200	117	670	553	235	335	292	500	315	253	58.5	158	78	280	245	203	337	8	18	292	13	80	130	8"	81	110
250	141	800	659	235	400	320	527	571	300	69.5	300	300	330	320	254	406	8	22	356	16	91	141	10"	79	110

Dimensions are approximate and subject to change without notice
Planning-in detail for general guidance only
(To cover safety aspects ask for our safety leaflets)
Drillings are Rotolok standards. Variations can be made.



OTHER ROTOLOK PRODUCTS

As well as Plug Diverter Valves, Rotolok manufacture and supply a range of other products for use in conveying systems. These include, but are not limited to: Blo-line pipe coupling; Slide Gates with Pneumatic, Motorised or Manual operation; Rotary Valves; Dust Collector Valves; Blowing Seals and other Diverter Valves.

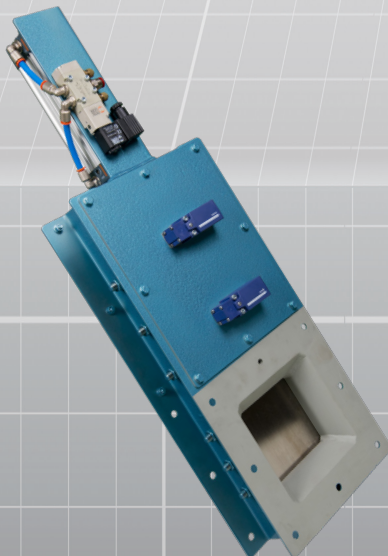
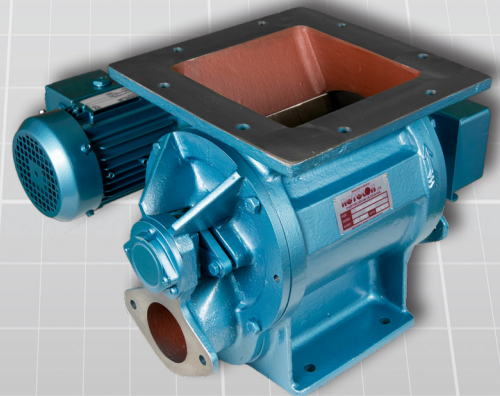
For more information, please visit our website or contact our sales team.

A Standard Rotary Valve that can be made to suit most applications with a variety of construction materials and rotors.



A Cast Iron conveying diverter valve. Available with flanged or spigotted connections to fit existing conveying systems. Manually or pneumatically operated.

A typical Blowing Seal with a square inlet used in pneumatic conveying systems.



A Standard Square Slide Gate with pneumatic operation. Available with Square or Circular inlet/outlet and pneumatic, manual or motorised operation.

